

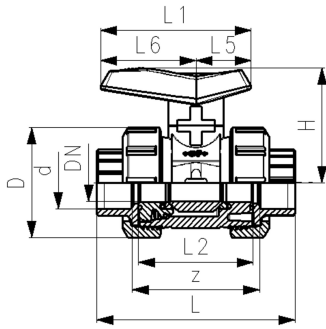
**Ball valve type 542 PVC-U**  
**With cemented socket (BS)**  
**With PE ball seal**

**Model:**

- For easy installation and removal
- Ball seat PE/ blue lever
- For water application

**Option:**

- Individual configuration of the valve possible
- Assembling of a valve tag possible



DN (mm)	Size (inch)	PN (bar)	kv-value ( $\Delta p=1$ bar) (L/min)	EPDM Code	GP	Weight (kg)
10	3/8	16	71	<b>161 541 201</b>		0.151
15	1/2	16	185	<b>161 541 202</b>		0.149
20	3/4	16	350	<b>161 541 203</b>		0.229
25	1	16	700	<b>161 541 204</b>		0.334
32	1 1/4	16	1000	<b>161 541 205</b>		0.588
40	1 1/2	16	1600	<b>161 541 206</b>		0.843
50	2	16	3100	<b>161 541 207</b>		1.564

D (mm)	H (mm)	L (mm)	L1 (mm)	L2 (mm)	L5 (mm)	L6 (mm)	z (mm)
50	54	92	72	56	26	46	60
50	54	95	72	56	26	46	60
58	66	111	93	65	34	59	69
68	71	124	93	71	34	59	76
84	85	147	110	85	41	69	89
97	92	157	110	89	41	69	96
124	108	184	128	101	49	79	110

The technical data are not binding. They neither constitute expressly warranted characteristics nor guaranteed properties nor a guaranteed durability. They are subject to modification. Our General Terms of Sale apply.

Georg Fischer Piping Systems Ltd, Postfach, CH-8201 Schaffhausen/Switzerland Phone +41 -(0)52-631 1111 e-mail: info.ps@georgfischer.com Internet: <http://www.gfps.com>